

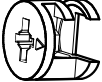
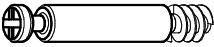
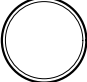




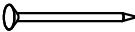


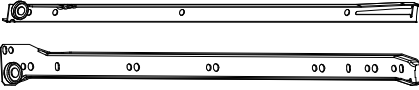



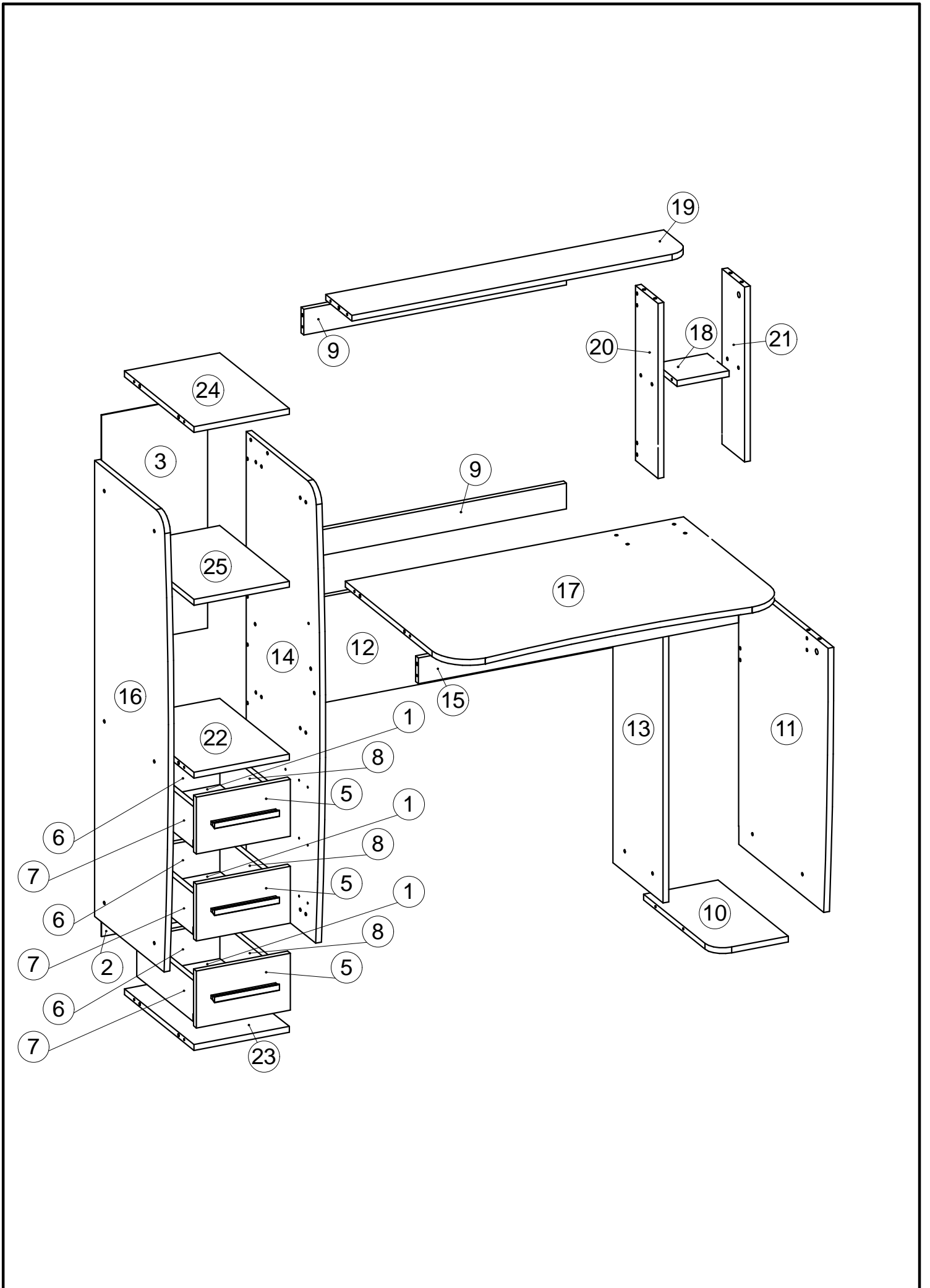
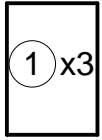
 Ø6,3x50 mm A1 x 38	 Ø12 mm A2 x 37	 4 mm A3 x 1	 Ø15x12 mm B1 x 3	 Ø5x44 mm B2 x 3
 Ø20 mm B3 x 3	 Ø3x16 mm D1 x 18	 Ø4x16 mm D2 x 18	 Ø4x30 mm D3 x 6	 Ø4,2x32 mm D4 x 6
 Ø1,6x25 mm F x 94	 Ø8x36 mm G x 64	 H x 3	 K x 3	
 Ø5x16 mm L x 4	 Ø15 mm N x 8	 50g R x 1		



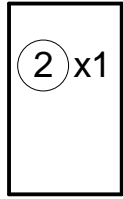
Box 1

240x348x3 mm



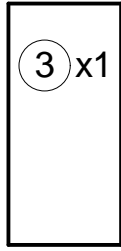
1 x3

505x298x3 mm



2 x1

639x298x3 mm



3 x1

210x100x16 mm



4 x3

210x100x16 mm



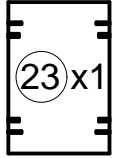
6 x3

350x100x16 mm



8 x3

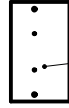
268x400x16 mm



23 x1

Fittings & Tools

155x263x16 mm



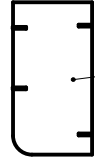
5 x3

350x100x16 mm



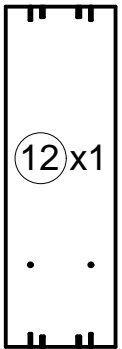
7 x3

209x403x16 mm



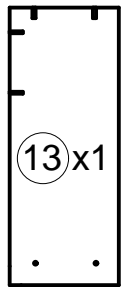
10 x1

900x290x16 mm



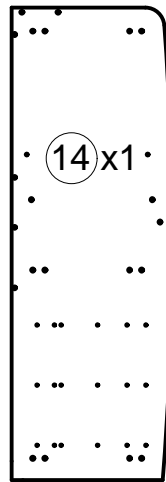
12 x1

734x288x16 mm



13 x1

1250x425x16 mm



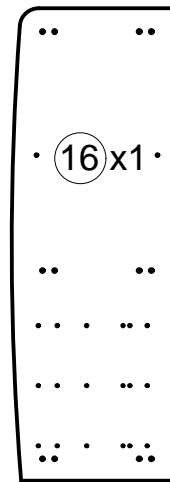
14 x1

70x900x16 mm



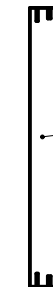
15 x1

1250x425x16 mm



16 x1

70x738x16 mm



9 x2

480x129x16 mm



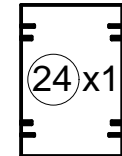
20 x1

480x129x16 mm



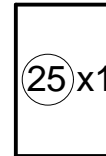
21 x1

268x400x16 mm



24 x1

268x400x16 mm



25 x1

146x124x16 mm



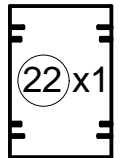
18 x1

950x150x16 mm

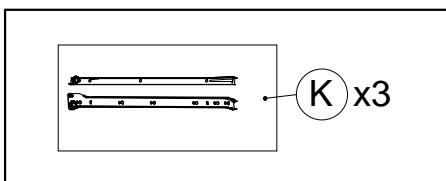


19 x1

268x400x16 mm



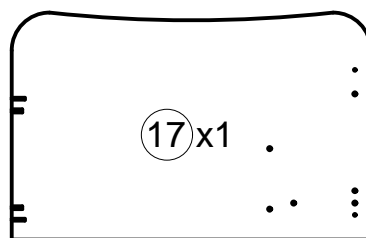
22 x1



K x3

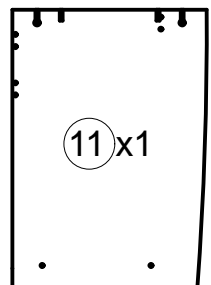
Box 2

950x600x16 mm



17 x1

734x514x16 mm



11 x1

1



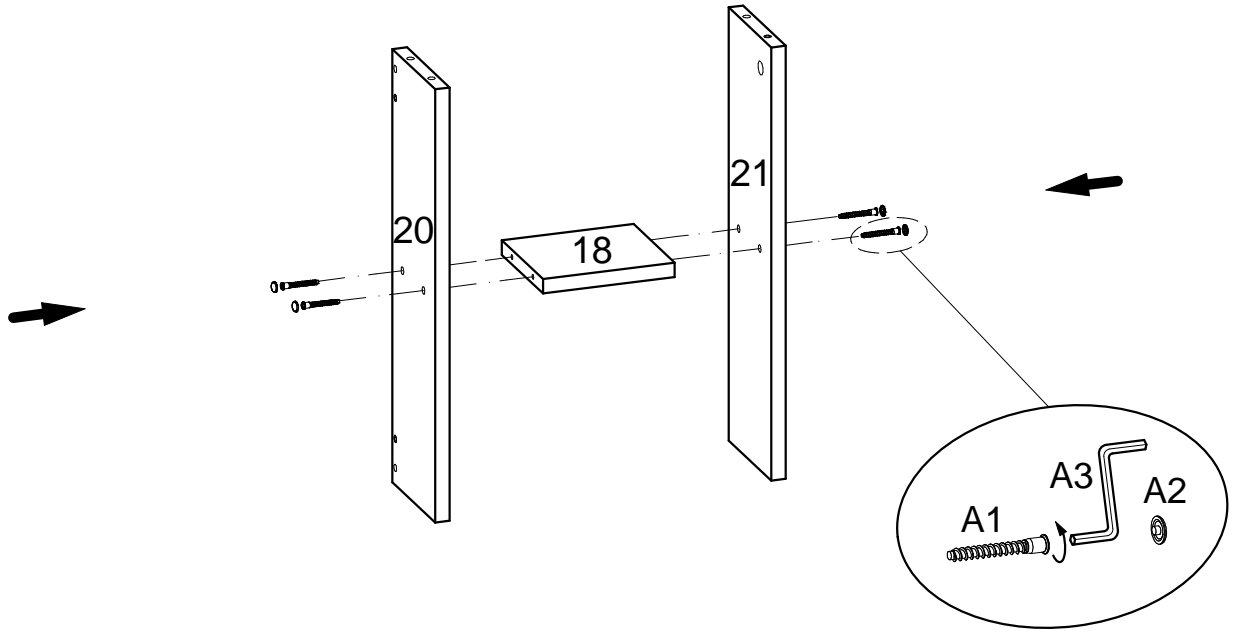
A1 x 4



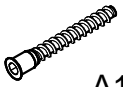
A2 x 4



A3 x 1



2



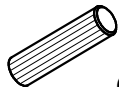
A1 x 2



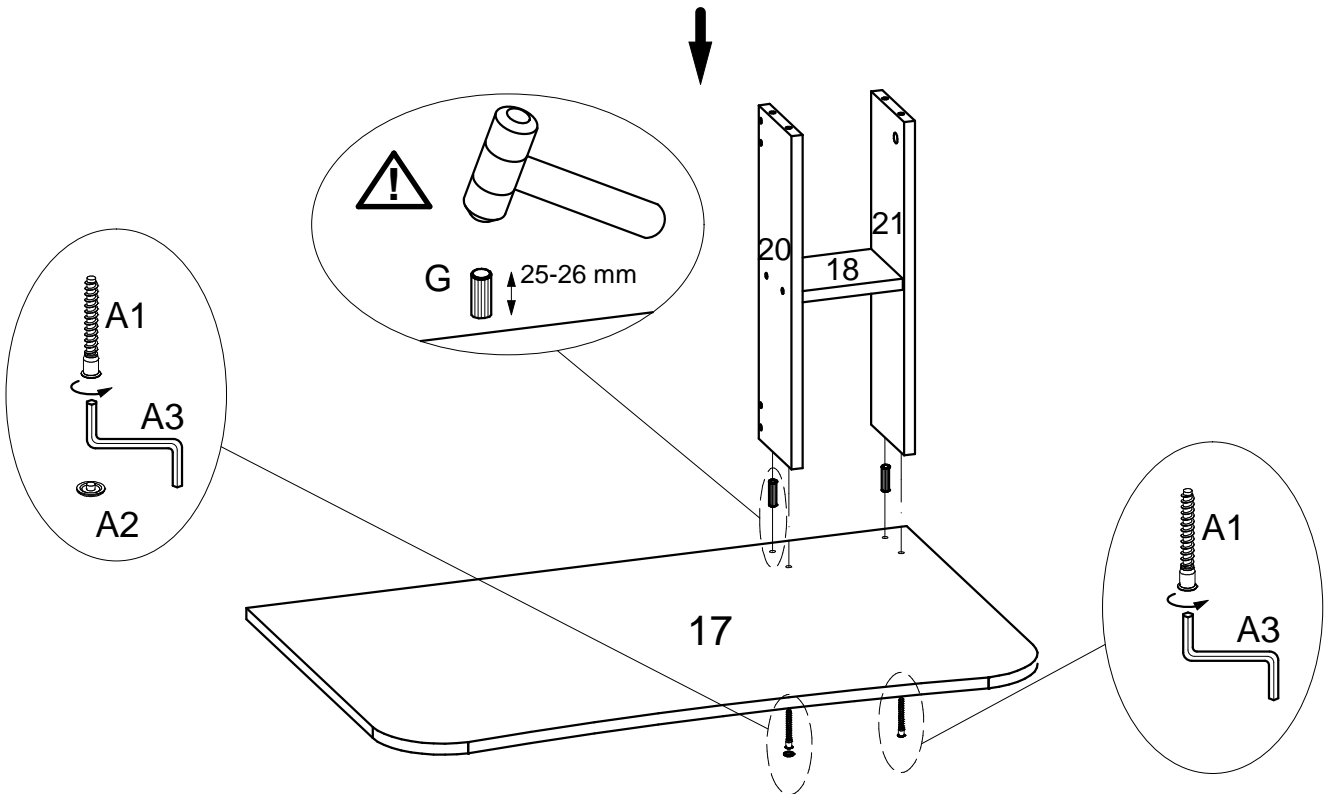
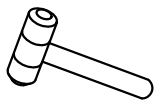
A2 x 1



A3 x 1



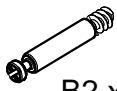
G x 2



3



B1 x 1



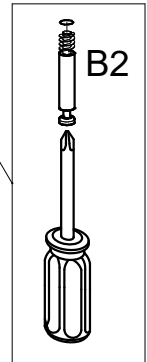
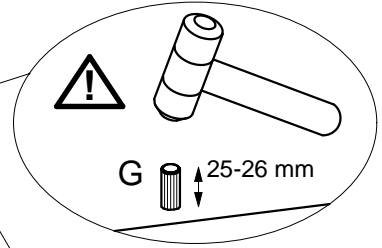
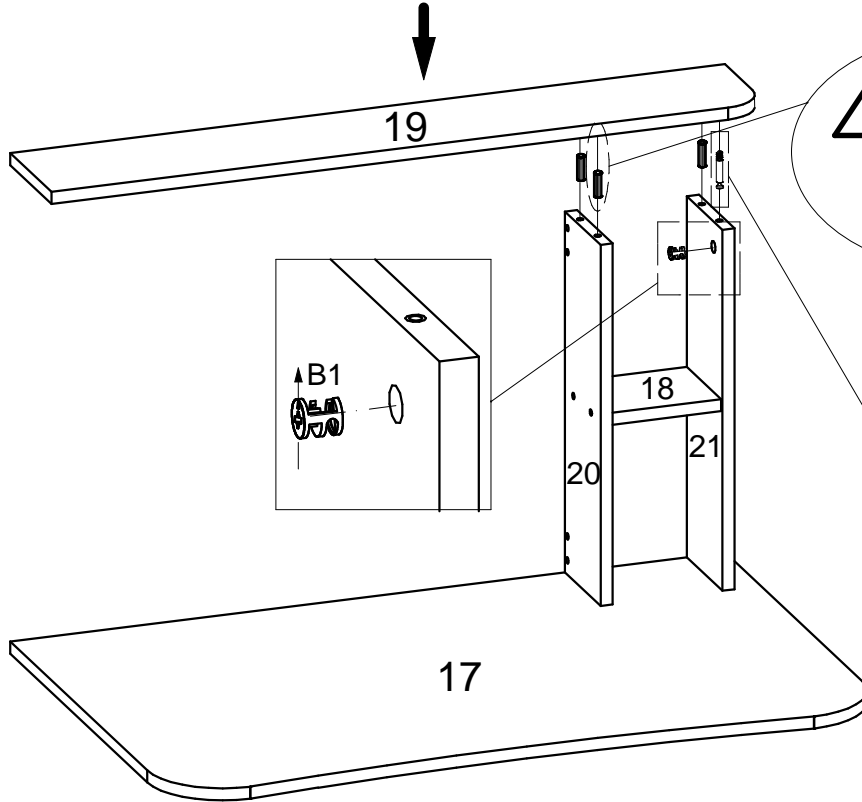
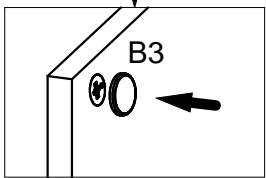
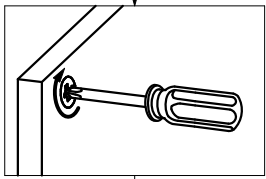
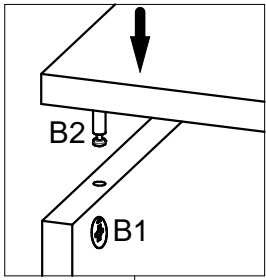
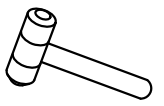
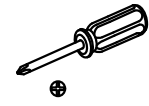
B2 x 1



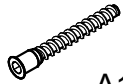
B3 x 1



G x 3



4



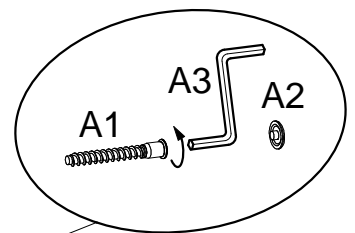
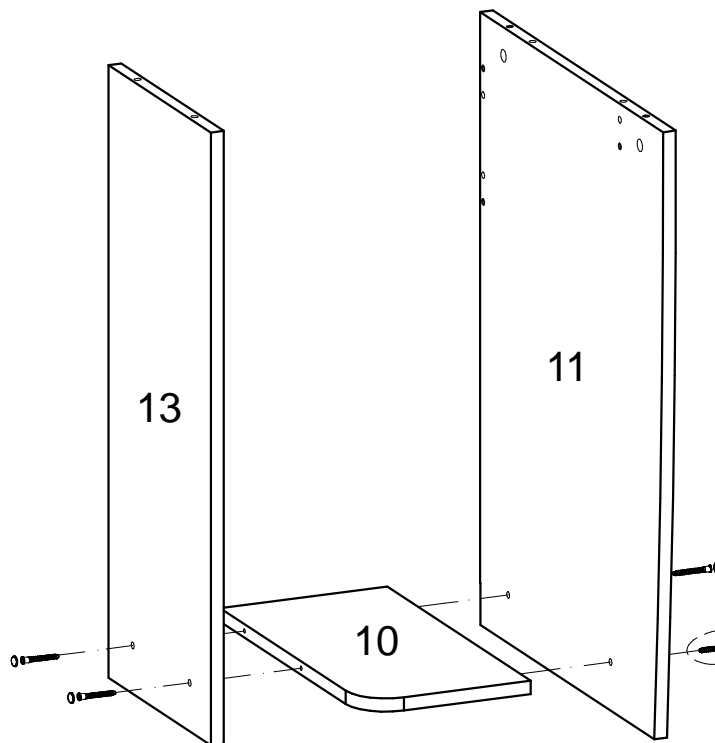
A1 x 4



A2 x 4



A3 x 1



5



B1 x 2



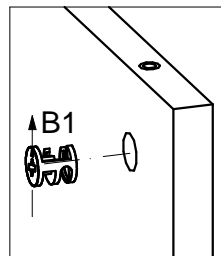
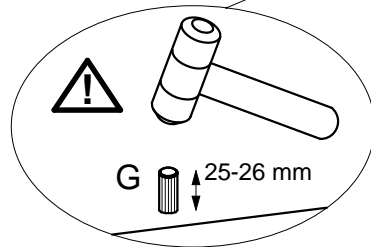
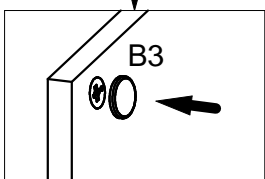
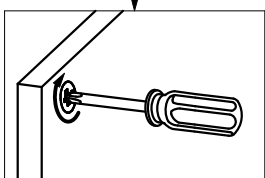
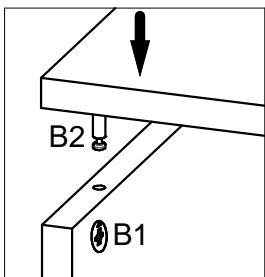
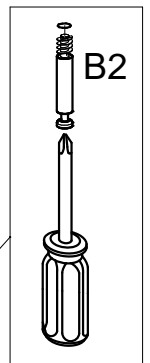
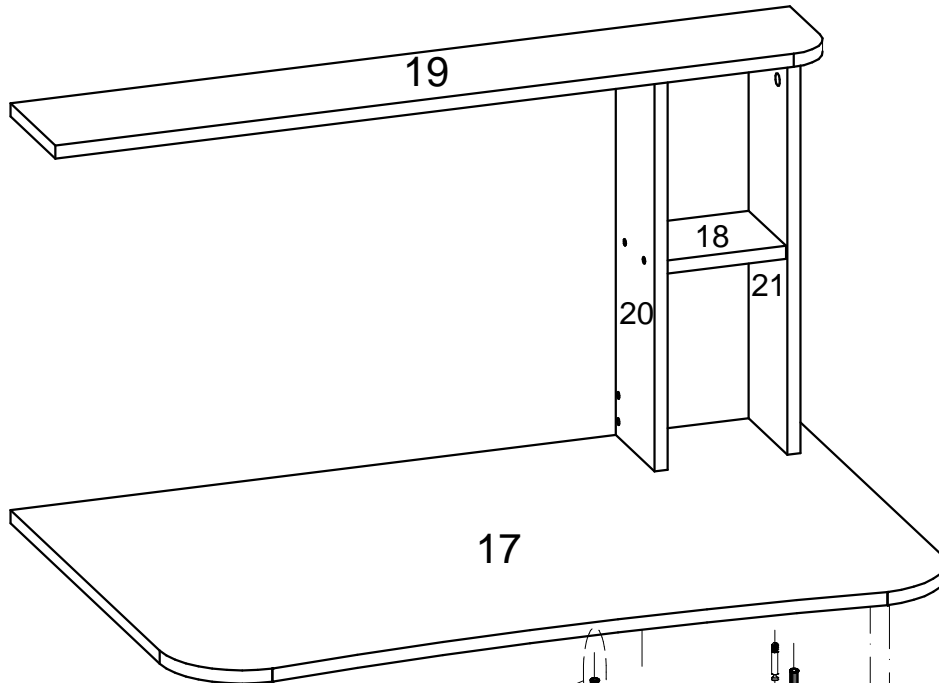
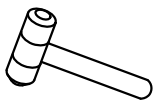
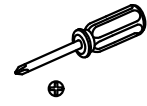
B2 x 2



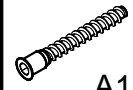
B3 x 2



G x 4



6



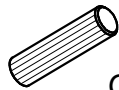
A1 x 12



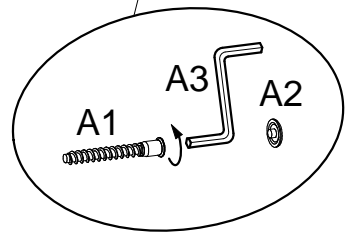
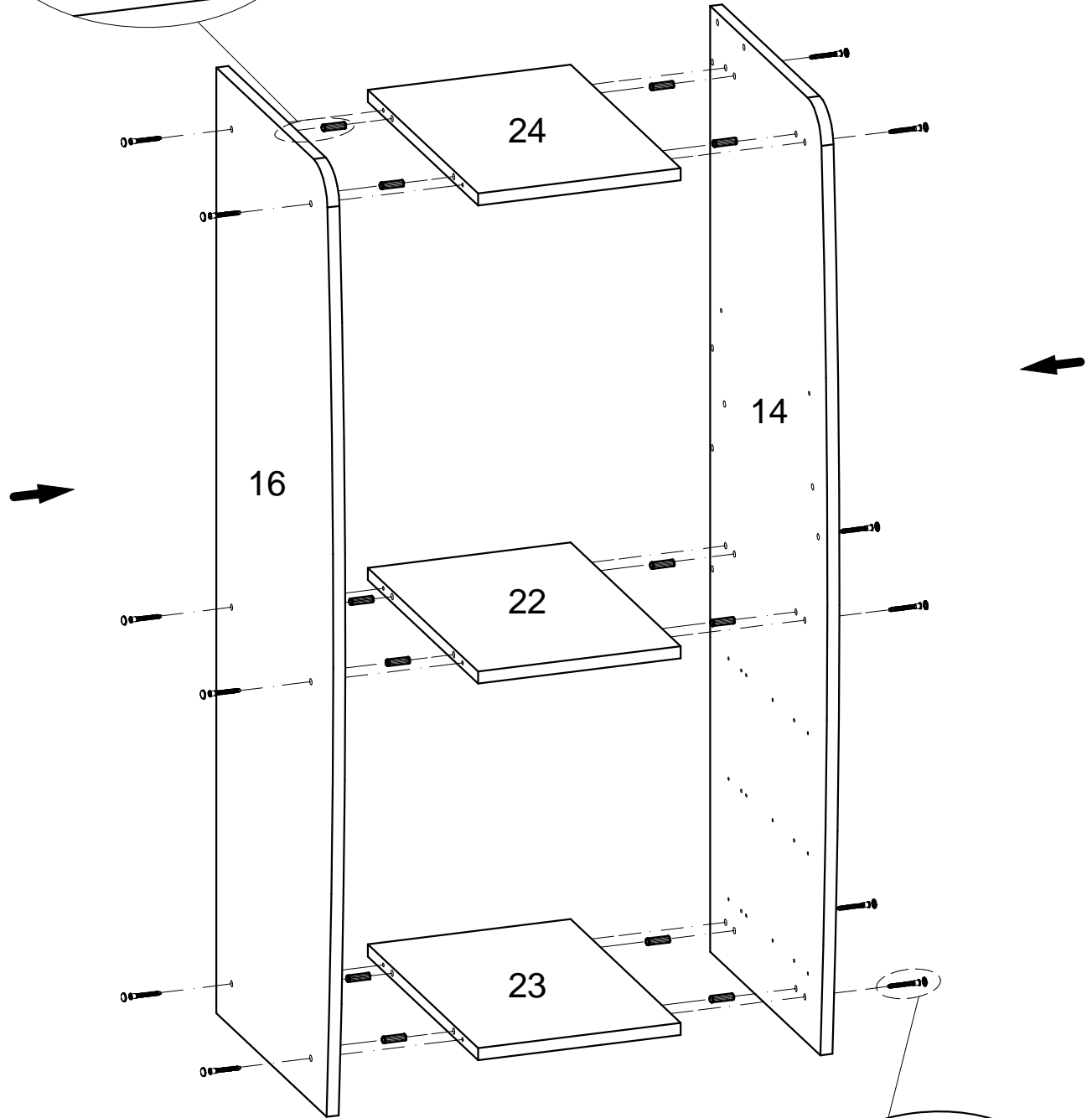
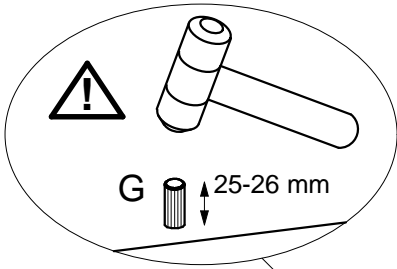
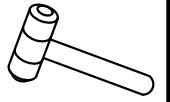
A2 x 12



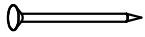
A3 x 1



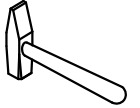
G x 12



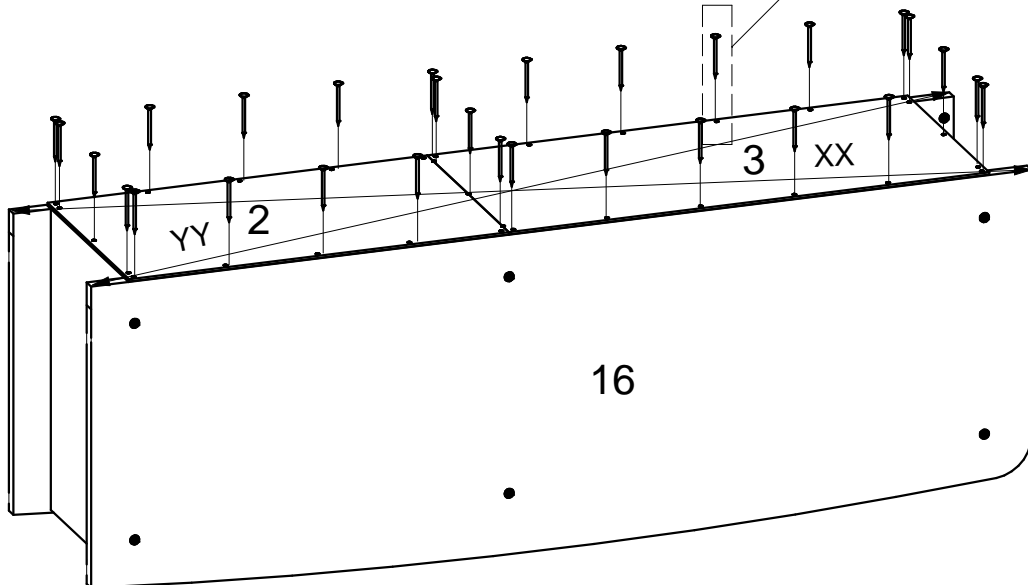
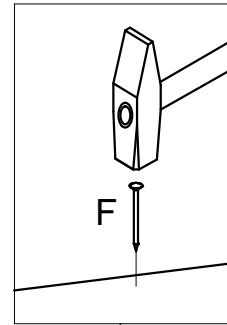
7



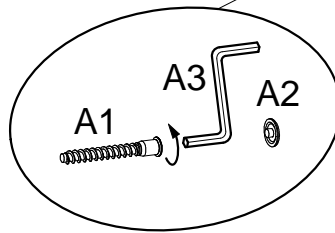
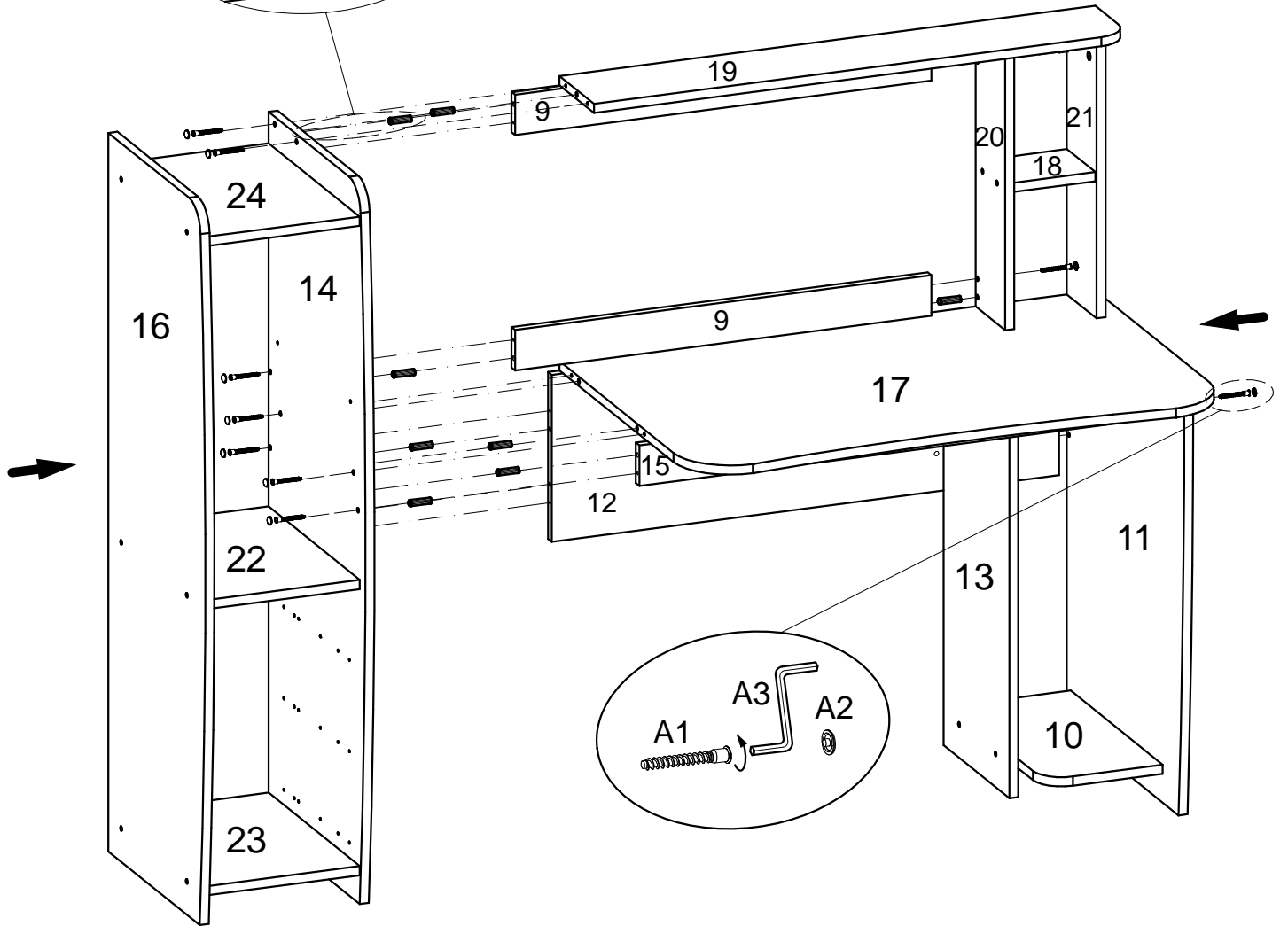
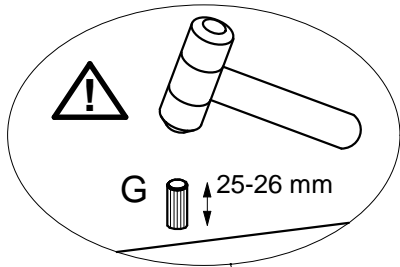
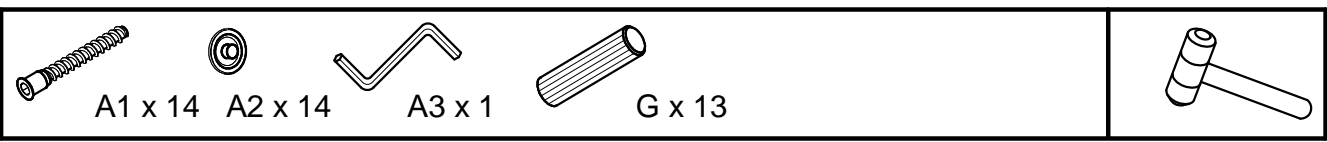
F x 49



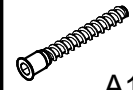
⚠ $XX=YY\equiv 90^\circ$



8



9



A1 x 2



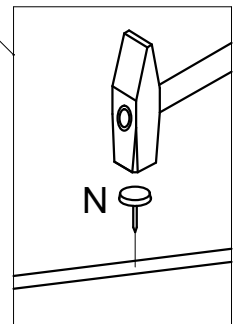
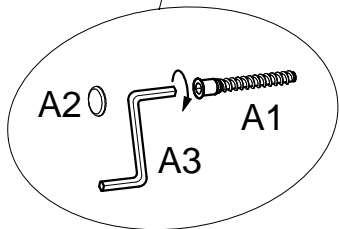
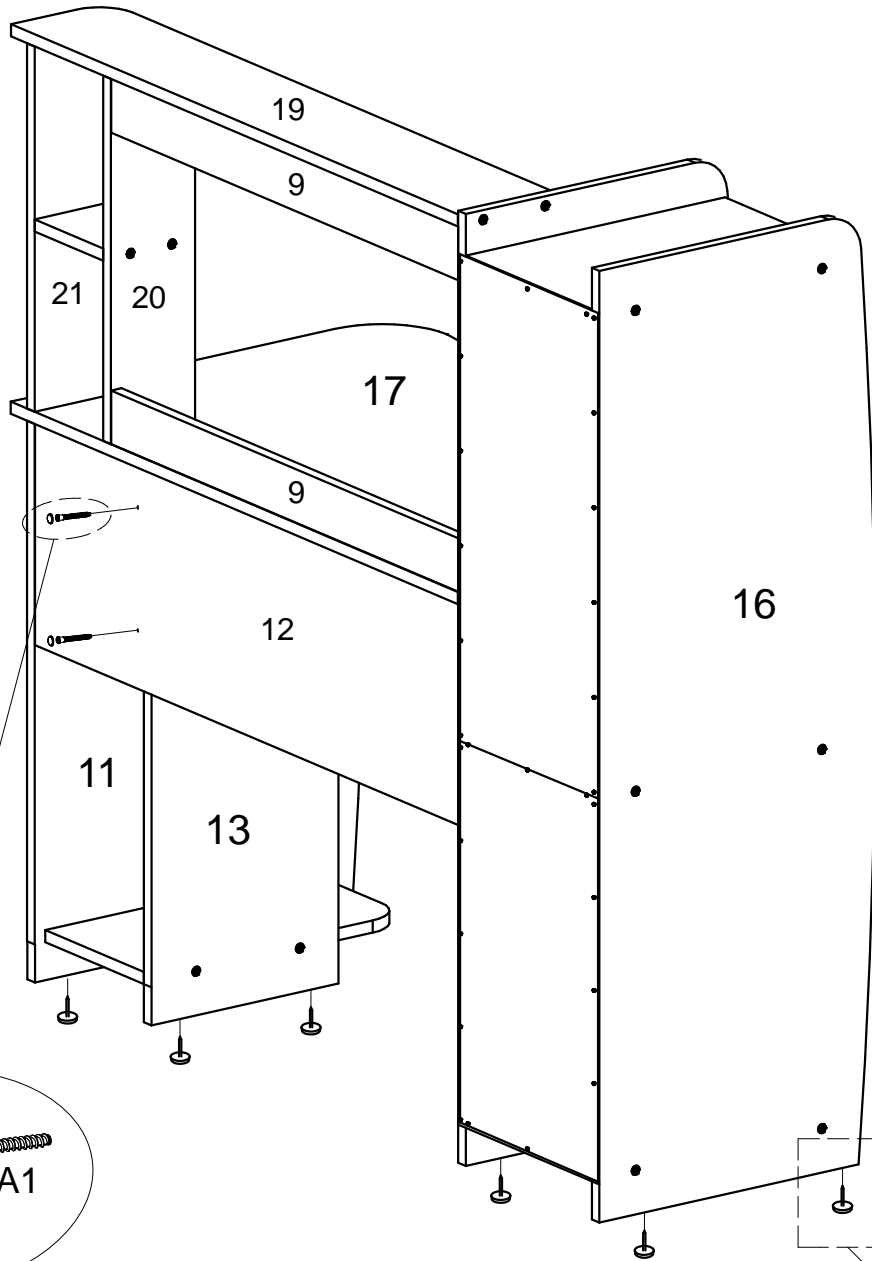
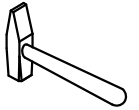
A2 x 2



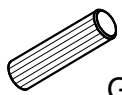
A3 x 1



N x 8



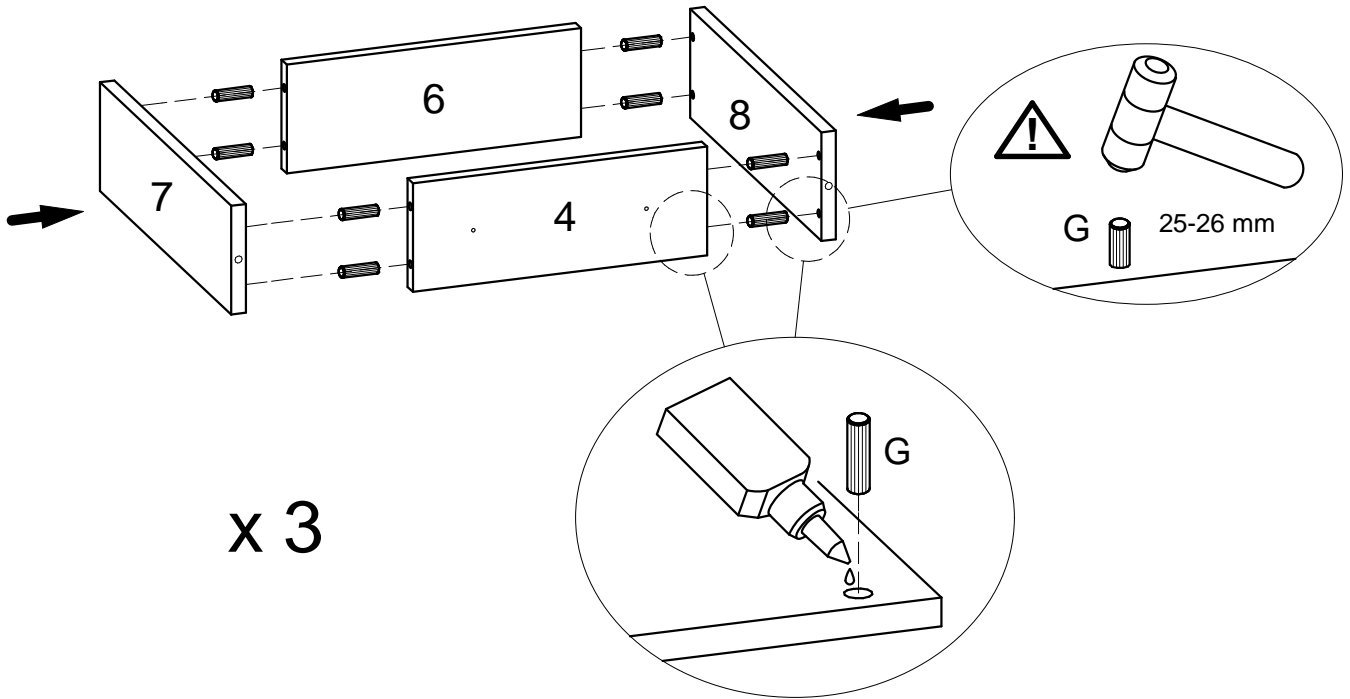
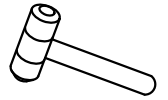
11



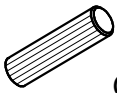
G x 24



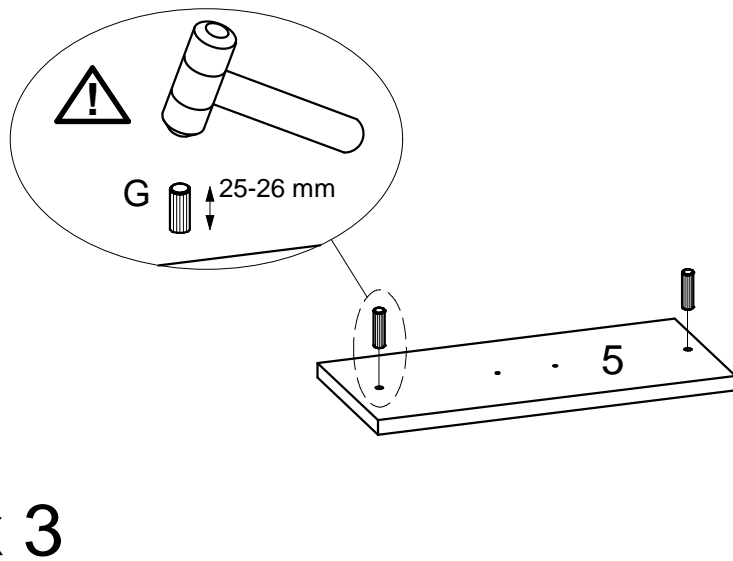
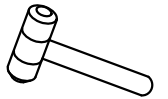
R x 1



12



G x 6



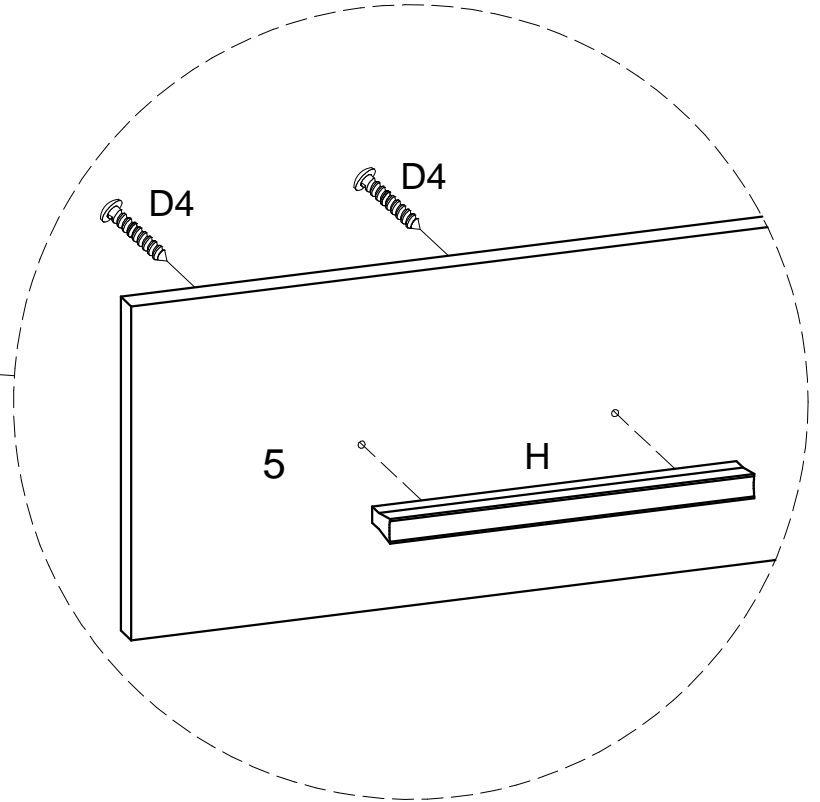
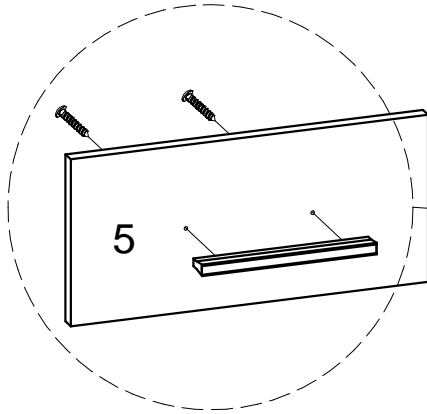
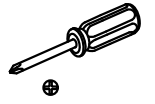
13



D4 x 6

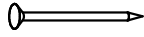


H x 3

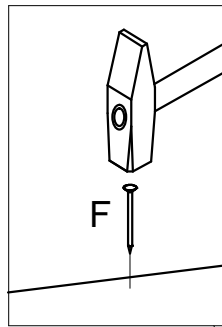
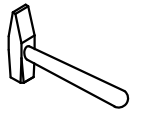


x 3

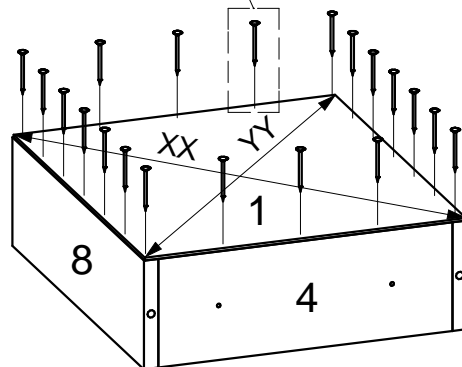
14



F x 45



⚠ XX=YY≅90°

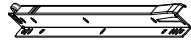


x 3

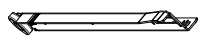
15



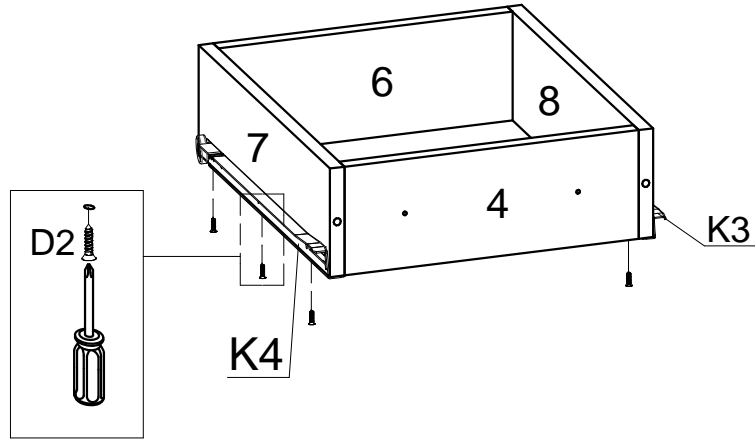
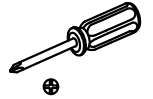
D2 x 18



K3 x 3



K4 x 3

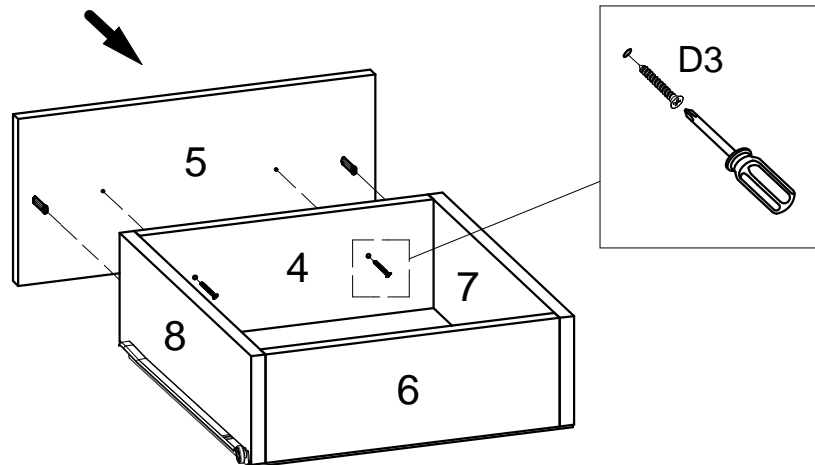
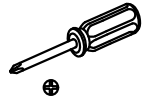


x 3

16



D3 x 6



x 3

17

